

PERFECT COMFORT

PCAA Series

32.5" x 19.6875"

Replacement PTAC

The Perfect Fit! The Perfect Choice!

FEATURES:

- Ultra Quiet Operation
- Two Heater Size Option
- Three-Speed Fan
- Environmentally-friendly R410a Refrigerant
- Attractive Appearance
- Easy to Clean Filter
- Optional Controls:
24V Wired and
Wireless Wall
Thermostat



REPLACES:

Chromalox CAM Replacement,
Islandaire CX Series

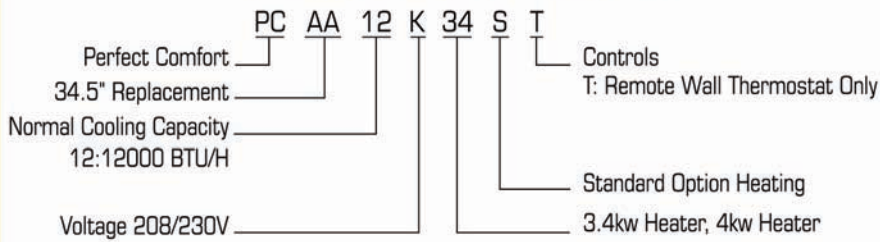
ACCESSORIES:

- Wall Sleeve
- Thermostat
- Architectural Grille
- Standard Grille

For more information, call 1-866-233-4022, or email info@perfectcomfort.ca.

www.PerfectComfort.ca

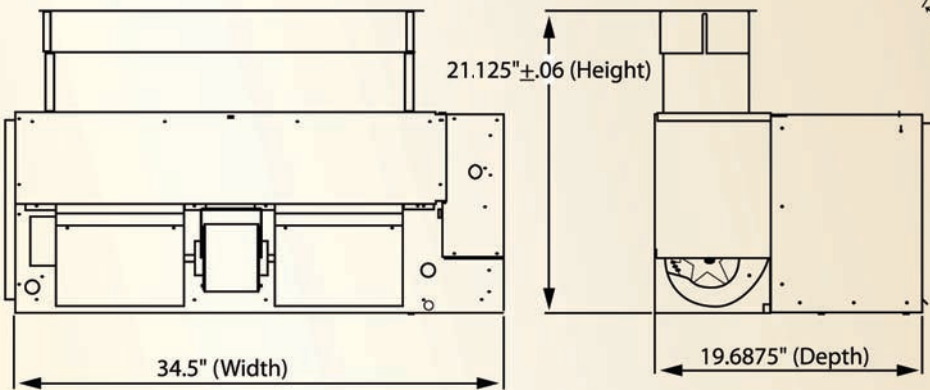
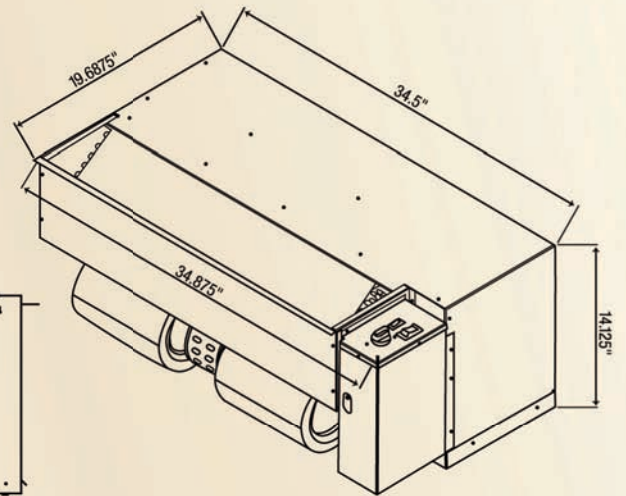
MODEL IDENTIFICATION



SPECIFICATIONS:

PCAA Specifications

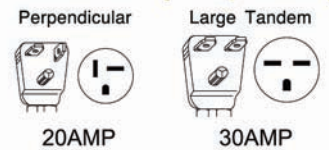
Model PCAA	Cooling	Sensible Heat Ratio	EER	Electric Heat	Indoor Air Flow CFM			Shipping Weight lbs
	Btuh(kw)			Btuh(kw)	Hi	Medium	Low	
PCAA12K34ST	000(3.5)	0.69	8.7	8530(2.5) 11600(3.4)	364	313	230	136



PCAA - 12,000 BTU Electrical Specifications

Power Supply volt —1-60		Compressor		Indoor Fan Motor		Outdoor Fan Motor		Electric Heat			Unit Electrical Ratings				
Volt	Min	RLA	LRA	FLA	Hp	ELA	Hp	Volt	W	HA	A/ Cooling	A/ Heating	MAX.A	MAX BRKR	Plug
208/ 230V	197	5.43	27	0.532	0.15	1.9	0.25	208	2500	12	6.5	12.5	12.5	20	6-15P
								208	3400	16.4	6.5	17	17	20	6-20P

Cord Plug and Wall Outlet (230/208V)



Universal Heater Power Cord Selection Guide

Part #	Heater Designator	Receptacle Size	Heating (Btu/h)	Heater (KW)	Current (Amps)
PC34	03	20A	11,600	3.4	17
PC40	05	30A	13,640	4.0	20

DISTRIBUTED BY:

PERFECT COMFORT

Warranty: Full one-year warranty including parts and labour. Full five-year warranty on compressor replacement. Manufacturer reserves right to change specifications and discontinue design without notice. Manufactured by NRG Equipment Inc.