

Model PCAA Series

- 34 1/2 x 14 1/4" Replacement PTAC

FEATURES

- Ultra Quiet Operation
- Universal Heater
- Three Fan Speed
- Environmentally - friendly R410a Refrigerant
- Attractive Appearance
- Easy to Clean Filter
- Control Options: Digital Control / 24 Volt Wall Thermostat & EMS Connection

ACCESSORIES

- Wall Sleeve
- Thermostat
- Architectural Grille
- Standard Grille

REPLACES

American Standard Series 16, RC-10, AAF Enersaver, EZ Series 16, American Air Filter 16, ENR, ENH, WY and YY.

The Perfect Fit! The Perfect Choice!

For more information

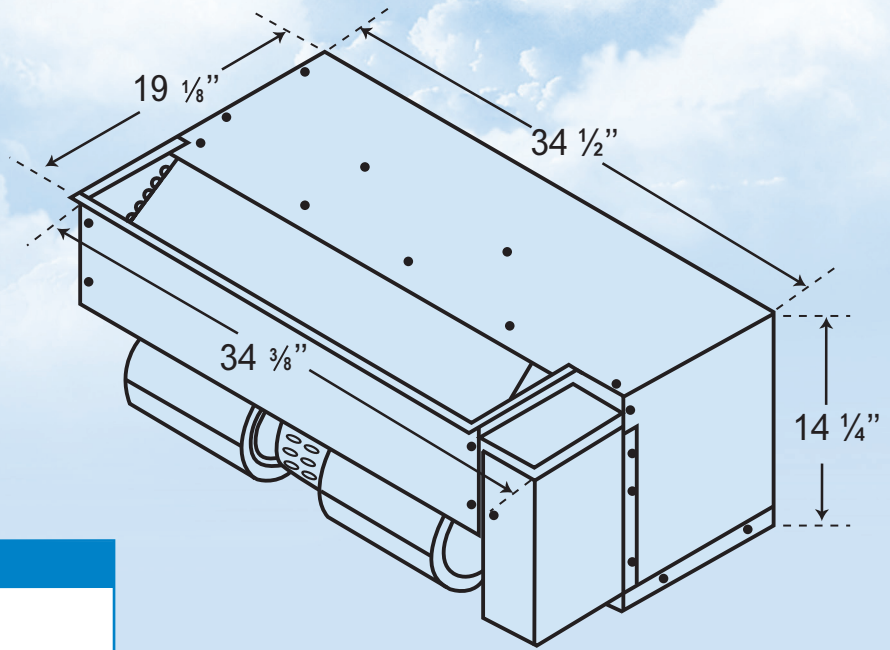
Call 1-866-233-4022

Email info@perfectcomfort.ca

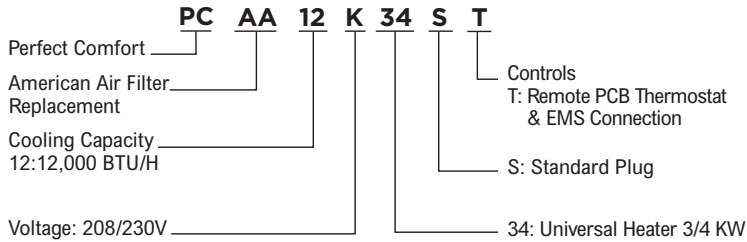
www.perfectcomfort.ca

PCAA Series

Replacement PTAC
For Wall Sleeve
37 1/2" x 16" & 41 1/2" x 16"



MODEL IDENTIFICATION



PCAA Specifications

Model PCAA	Cooling	Sensible Heat Ratio	EER	Electric Heat		Indoor Air Flow CFM			Shipping Weight
	Btu/h (KW)			Btu/h (KW)	Hi	Med	Low	lbs	
PCAA12K34ST	12,000 (3.5)	0.69	8.7	8,530 (2.5)	11,600 (3.4)	364	313	230	136

PCAA - 12,000 BTU Electrical Specifications

Power Supply Volt 1-60		Compressor		Indoor Fan Motor		Outdoor Fan Motor		Electric Heat			Unit Electrical Ratings				
Voltage	Min	RLA	LRA	FLA	Hp	ELA	Hp	Volt	W	HA	A / Cooling	A / Heating	Max. AMP	Max. Breaker	Fuse Rating
208/230V	197	5.43	27	0.532	0.15	1.9	0.25	208 / 230	2,500 / 3,000	12	6.5	13	13.5	20	6-20P
								208 / 230	3,400 / 4,000	16.4	6.5	17	17.5	30	6-30P

For more information

Call 1-866-233-4022
Email info@perfectcomfort.ca
www.perfectcomfort.ca



DISTRIBUTED BY:

Manufacturer reserves the right to change specifications. Our products are subject to continuous improvements, Perfect Comfort / NRG Equipment reserves the right to modify product design and specifications, discontinue design without notice and without incurring any obligations.