



Model PCKK Series

- 36 $\frac{1}{4}$ " x 13 $\frac{11}{16}$ " Replacement PTAC

FEATURES

- Ultra Quiet Operation
- Universal Heater
- Three Fan Speed
- R410A Refrigerant
- Attractive Appearance
- Easy to Clean Filter
- Control Options: Digital control / 24Volt Wall Thermostat & EMS Connection

ACCESSORIES

- Wall Sleeve
- Thermostat
- Architectural Grille
- Standard Grille

REPLACES

- Remington, Singer and McQuay K, EK, KF, PK

The Perfect Fit! The Perfect Choice!

For more information

Call 1-866-233-4022

Email info@perfectcomfort.ca

www.perfectcomfort.ca

PCKK Specifications

Model PCKK	Cooling	Sensible Heat Ratio	EER	Indoor Air Flow CFM			Shipping Weight lbs	Shipping Box Dimension	Chassis Dimension
	Btu/h (KW)			Hi	Med	Low		LxDxH (Inch)	LxDxH (Inch)
PCKK09K00S-T	9,000 (2.6)	0.76	8.6	450	410	300	146	41 ¹⁵ / ₁₆ x 19 ¹ / ₂ x 27" (one box)	34 ¹³ / ₁₆ x 15 ³ / ₄ x 24 ³ / ₄ "
PCKK12K00S-T	12,000 (3.5)	0.69	9.4	450	410	300	154	41 ¹⁵ / ₁₆ x 19 ¹ / ₂ x 27" (one box)	34 ¹³ / ₁₆ x 15 ³ / ₄ x 24 ³ / ₄ "
PCKK15K00S-T	15,000 (4.3)	0.69	9.3	321	284.5	206	154	41 ¹ / ₄ x 18 x 15 ¹⁵ / ₁₆ " / 39 ¹ / ₂ x 21 ¹ / ₄ x 23 ¹ / ₄ " (two boxes)	34 ¹³ / ₁₆ x 15 ³ / ₄ x 24 ³ / ₄ "

PCKK - 9,000 BTU Electrical Specifications

Power Supply Volt 1-60		Compressor		Indoor Fan Motor		Outdoor Fan Motor		Electric Heat				Unit Electrical Ratings				
Voltage	Min	RLA	LRA	FLA	Hp	ELA	Hp	HTR#	Volt	W	HA	A / Cooling	A / Heating	Max. AMP	Max. Breaker	Fuse Rating
208/230V	197	3.9	20	0.55	0.15	0.55	0.15	1 KW	208	910	4.4	4.5	4.7	6	15	6-15P
									230	1000	4.7					
								2 KW	208	1725	8.2	4.5	8.8	9.5	15	6-15P
									230	2000	8.8					
								3 KW	208	2525	12.1	4.5	13	14	20	6-20P
									230	3000	13					

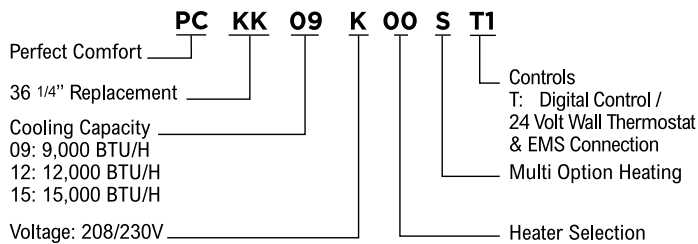
PCKK - 12,000 BTU Electrical Specifications

Power Supply Volt 1-60		Compressor		Indoor Fan Motor		Outdoor Fan Motor		Electric Heat				Unit Electrical Ratings				
Voltage	Min	RLA	LRA	FLA	Hp	ELA	Hp	HTR#	Volt	W	HA	A / Cooling	A / Heating	Max. AMP	Max. Breaker	Fuse Rating
208/230V	197	5.25	28	0.55	0.15	0.55	0.15	1 KW	208	910	4.4	5.5	4.7	7.5	15	6-15P
									230	1000	4.7					
								2 KW	208	1725	8.2	5.5	8.8	9.5	15	6-15P
									230	2000	8.8					
								3 KW	208	2525	12.1	5.5	13	14	20	6-20P
									230	3000	13					

PCKK - 15,000 BTU Electrical Specifications

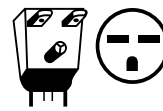
Power Supply Volt 1-60		Compressor		Indoor Fan Motor		Outdoor Fan Motor		Electric Heat				Unit Electrical Ratings				
Voltage	Min	RLA	LRA	FLA	Hp	ELA	Hp	HTR#	Volt	W	HA	A / Cooling	A / Heating	Max. AMP	Max. Breaker	Fuse Rating
208/230V	197	6.55	39	0.55	0.15	0.7	0.22	2 KW	208	1725	8.2	7.2	8.8	9.5	15	6-15P
									230	2000	8.8					
								3 KW	208	2525	12.1	7.2	13	14	20	6-20P
									230	3000	13					
								4 KW	208	3315	15.9	7.2	17.5	18.5	30	6-30P
									230	4000	17.5					

MODEL IDENTIFICATION



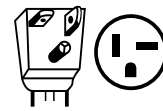
CORD PLUG AND WALL OUTLET (208/230V)

Tandem
Part # PC15S-P



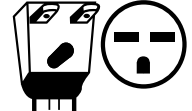
15 AMP

Perpendicular
Part # PC20S-P

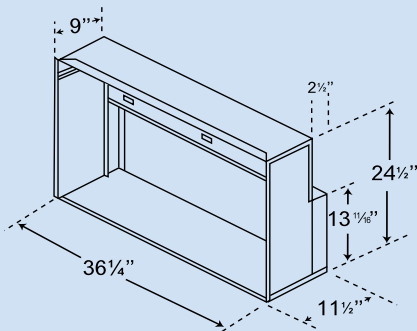


20 AMP

Large Tandem
Part # PC30S-P



30 AMP



For more information

Call 1-866-233-4022
Email info@perfectcomfort.ca
www.perfectcomfort.ca

PERFECT
Comfort
YOUR HVAC SUPPLIER

DISTRIBUTED BY:

Manufacturer reserves the right to change specifications. Our products are subject to continuous improvements, Perfect Comfort / NRG Equipment reserves the right to modify product design and specifications, discontinue design without notice and without incurring any obligations.